



Thermia WT-S



Stainless steel water heater for large hot water requirements

The Thermia WT-S is a single-wall, stainless steel water heater that generates large volumes of domestic hot water using a heat pump or other heat source. The water is heated using heat exchangers or an electric heating element.

The WT-S is the perfect solution for any heat pump and high domestic hot water demand. The water heater is made from stainless steel which means it is corrosion-proof, with no sacrificial anode required in the tank.

The Thermia WT-S has sockets for the immersion heater and hot water circulation. It is available in 500 and 1000 litre sizes and can be cascade-connected for larger requirements.

B

Energy efficiency class for water heater WT-S 500

C

Energy efficiency class for water heater WT-S 1000

WT-S 500



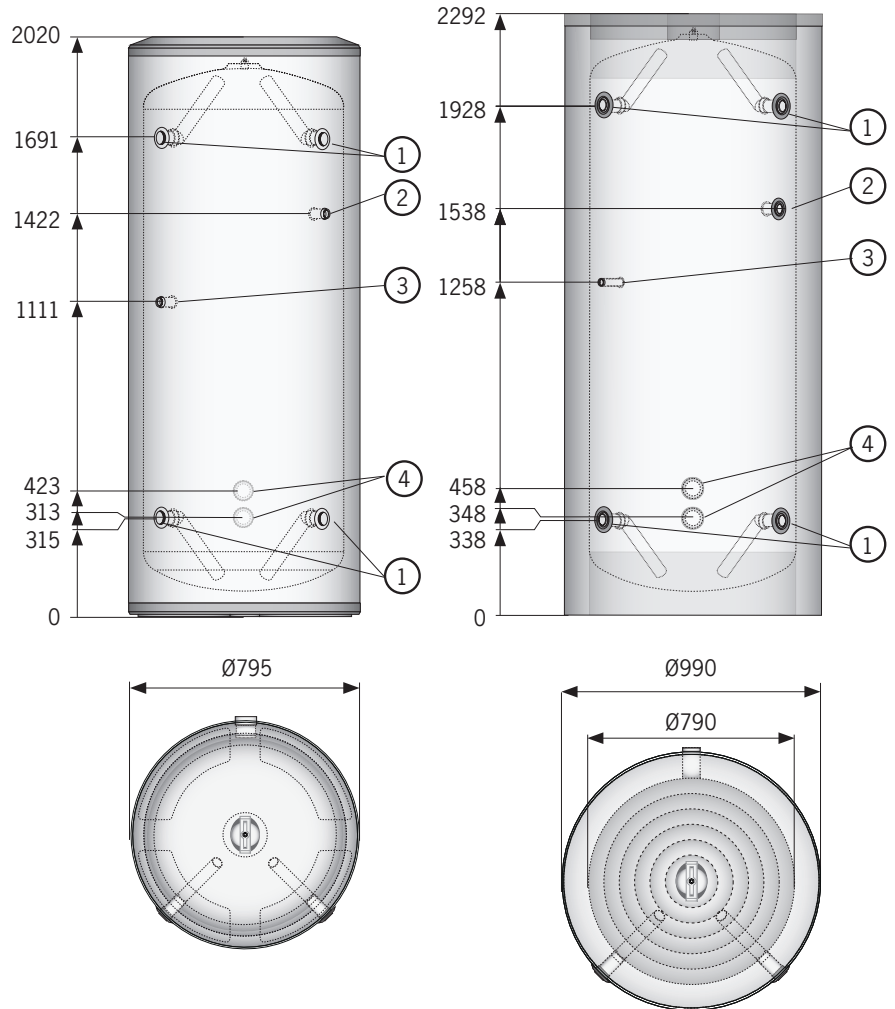
WT-S 1000



Technical data WT-S 500 WT-S 1000

Connections

- 1 Connections (4x), DN50 int.
- 2 Circulation, DN25 int.
- 3 Temperature sensor conn. DN15 int.
- 4 Immersion heater conn. DN50 int. (2x)
(Located on the "backside")



WT-S 500	
Corrosion protection	stainless
Storage volume V (litres)	488,3
Working pressure (bar)	10
Test pressure (bar)	14,3
Max. temperature (°C)	95
Immersion heater, max. output (kW)	9
Max. immersion heater length (mm)	640
Standing loss S ¹	127,0
Energy efficiency class	B
Height (mm)	2020
Width (mm)	795
Depth (mm)	795
Weight (kg)	68

1) According to 12897:2016

Required ceiling height for tilting: min. 2200 mm

WT-S 1000	
Corrosion protection	stainless
Storage volume V (litres)	969,3
Working pressure (bar)	10
Test pressure (bar)	14,3
Max. temperature (°C)	95
Immersion heater, max. output (kW)	2 x 9
Max. immersion heater length (mm)	850
Standing loss S ¹	125,2
Energy efficiency class	C
Height (mm)	2292
Width (mm)	990
Depth (mm)	990
Weight (kg)	108

1) According to 12897:2016

Required ceiling height for tilting: min. 2500 mm