



Thermia Aermec UL



Aermec UL

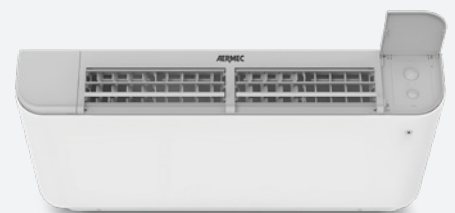
Silent fan coil unit that provides both heating and cooling

Thermia Aermec UL is a silent fan coil unit with a manual 3-speed switch that helps you maintain an even and comfortable indoor temperature all year round. It is equipped with an electrostatic filter that purifies the air and is easy to clean. In simple terms, the fan coil is a 'heater' with adjustable air deflectors that blow hot or cold air.

In summer, the fan coil, in combination with a heat pump and natural cooling, can be used as an air conditioner to provide a cool and pleasant indoor temperature.

The Aermec UL can be used with a heat pump or any other heat source and is also a good option when switching from high to low temperature systems.

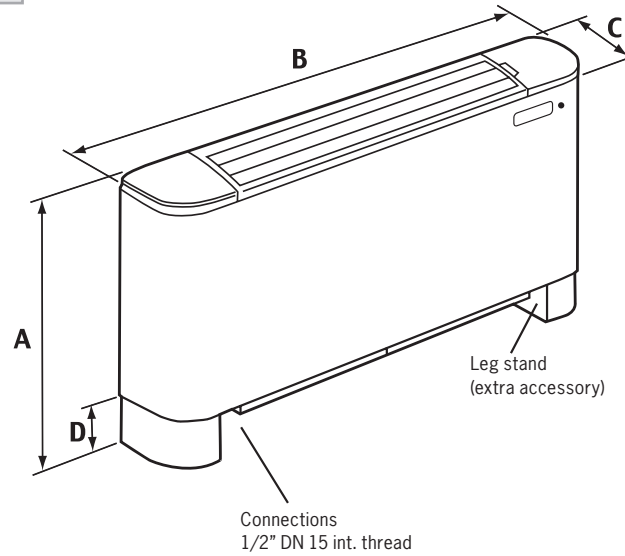
The Aermec UL is available in 4 different sizes and is designed for wall or floor mounting.



Technical data Aermec UL

Dimensions

Aermec UL	A (mm)	B (mm)	C (mm)	D (mm)
12	579	640	173	94
17	579	750	173	94
27	579	980	173	94
37	579	1200	173	94



Aermec UL		12	17	27	37
Heating ¹	Output capacity max	570 W	825 W	1309 W	1683 W
	Output capacity med	414 W	601 W	1085 W	1380 W
	Output capacity min	300 W	436 W	819 W	1000 W
Heating ²	Output capacity max	1390 W	2013 W	3196 W	4109 W
	Output capacity med	1010 W	1466 W	2649 W	3369 W
	Output capacity min	733 W	1065 W	1999 W	2442 W
Sound ³	Sound level max	42 dB (A)	44 dB (A)	44 dB (A)	44 dB (A)
	Sound level med	33 dB (A)	39 dB (A)	39 dB (A)	37 dB (A)
	Sound level min	27 dB (A)	30 dB (A)	31 dB (A)	30 dB (A)
	Motor, power rating max	18 W	32 W	35 W	42 W
Cooling ⁴	Cooling capacity max	174 W	248 W	420 W	586 W
	Cooling capacity med	141 W	184 W	348 W	474 W
	Cooling capacity min	112 W	147 W	265 W	344 W
Cooling ⁵	Cooling capacity max	729 W	1042 W	1762 W	2456 W
	Cooling capacity med	590 W	773 W	1458 W	1988 W
	Cooling capacity min	469 W	616 W	1111 W	1441 W
Weight		12 kg	13 kg	17 kg	20 kg

1. Rating is given at a room temperature of 20°C and water circulation temperature of 35/30°C (In/Out).
2. Rating is given at a room temperature of 20°C and water circulation temperature of 55/47°C (In/Out).
3. Sound pressure level at 10m² Sabine
4. Rating is given at room temperature of 24°C, 55% relative humidity and water circulation temperature of 17/19°C (In/Out).
5. Rating is given at a room temperature of 24°C, 55% relative humidity and water circulation temperature of 7/12°C (In/Out).